

Aliante

ALIANTE 1.0



with wood feet



Wood headboard
Wood bed frame

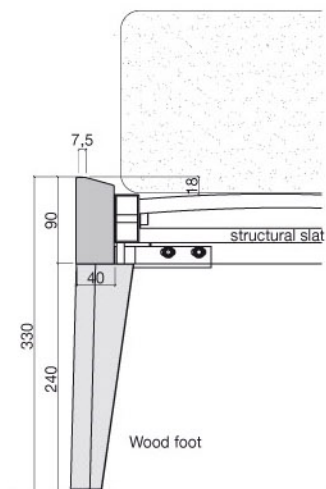
FEATURES

Headboard made of curved plywood covered with melamine finish for the matt lacquered finish (in the semi-padded version) or with oak veneer that can be brushed or open pore varnished for the complete veneer version. The headboard panel is made of curved plywood, padded with shaped polyurethane foam, with artificial leather, leather or vintage leather covering for the semi-padded version. The edges are in smooth synthetic material for the matt lacquer finishes and synthetic material covered with wood veneer for the wood finishes.

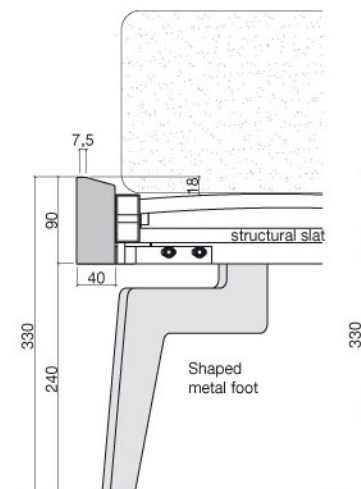
The bed frame is made in solid wood 40 mm thick with polished bottom for the matt lacquered version or covered with oak veneer which can be varnished or heat-treated and brushed with open pore varnish. The feet are made of solid wood 40 mm thick covered with oak veneer which can be varnished or heat-treated and brushed with open pore varnishing (Aliante 1.0 and 2.0). Painted metal feet in the Brown or Titanio finishes are also available (Aliante 1.0, 2.0 e 3.0)

The price of the bed includes the structural bed base.

Bed frame section
ALIANTE 1.0 and 2.0



Bed frame section
ALIANTE 1.0 and 2.0



FINITURE:

>> ALIANTE 1.0
Bed Aliante 1.0 finishes

FINITURE DELLA TESTIERA DEL GIROLETTO E DEI PIEDI "LEGNO"
Headboard, bed frame and "wooden" feet finishes

ROVERI TINTI IMPIALLACCIATI
Coloured Oak veneer



Rovere Cenere



Rovere Argilla



Rovere Grigio



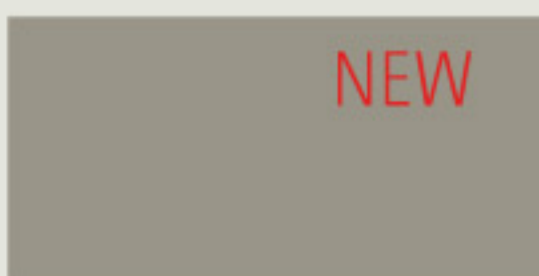
Rovere Carbone

LEGNI IMPIALLACCIATI Wood veneer

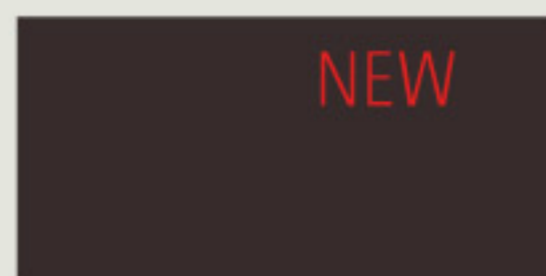


Rovere Termotrattato

FINITURE DEI PIEDI IN METALLO
metal feet finishes



Titanio



Brown

Aliante

ALIANTE 2.0



with wood and metal feet



Headboard with padding and wooden headboard back
Wood bed frame

ALIANTE 3.0



with metal feet



Headboard with padding and wooden headboard back
Padded bed frame

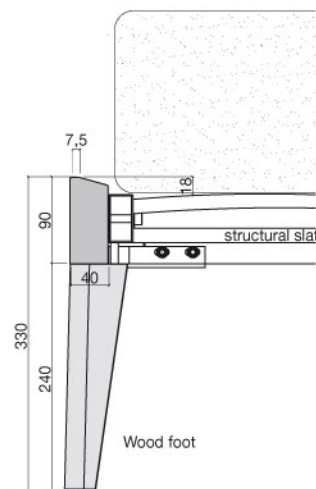
FEATURES

Headboard made of curved plywood covered with melamine finish for the matt lacquered finish (in the semi-padded version) or with oak veneer that can be brushed or open pore varnished for the complete veneer version. The headboard panel is made of curved plywood, padded with shaped polyurethane foam, with artificial leather, leather or vintage leather covering for the semi-padded version. The edges are in smooth synthetic material for the matt lacquer finishes and synthetic material covered with wood veneer for the wood finishes.

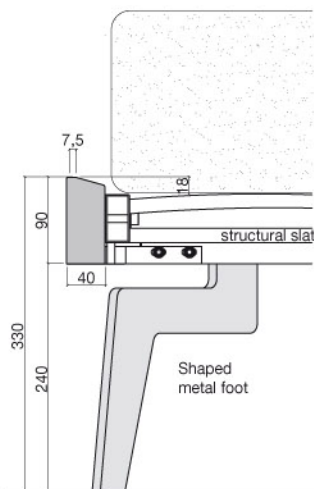
The bed frame is made in solid wood 40 mm thick with polished bottom for the matt lacquered version or covered with oak veneer which can be varnished or heat-treated and brushed with open pore varnish. The feet are made of solid wood 40 mm thick covered with oak veneer which can be varnished or heat-treated and brushed with open pore varnishing (Aliante 1.0 and 2.0). Painted metal feet in the Brown or Titanio finishes are also available (Aliante 1.0, 2.0 e 3.0)

The price of the bed includes the structural bed base.

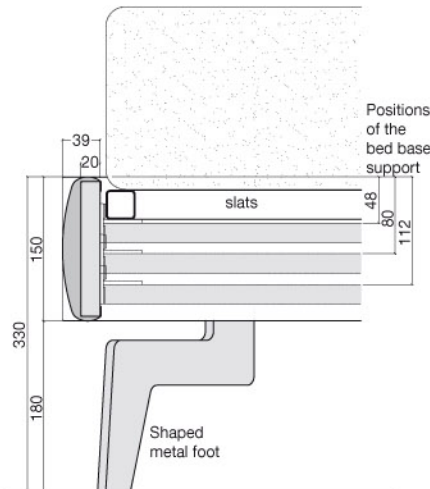
Bed frame section
ALIANTE 1.0 and 2.0



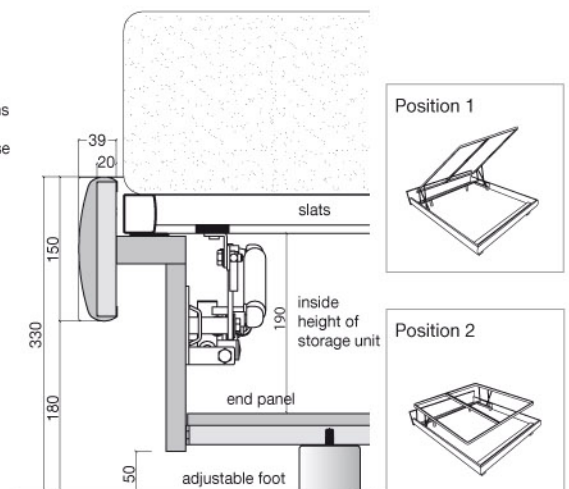
Bed frame section
ALIANTE 1.0 and 2.0



Bed frame section
ALIANTE 3.0



Bed frame section with storage unit
ALIANTE 3.0



FINITURE:

>> ALIANTE 2.0
Bed Aliante 2.0 finishes

FINITURE DEL RETROTESTIERA DEL RING E DEI PIEDI "LEGNO"
Finishes of: Headboard back, bed frame and "wooden" feet

ROVERI TINTI IMPIALLACCIATI
Coloured Oak veneer



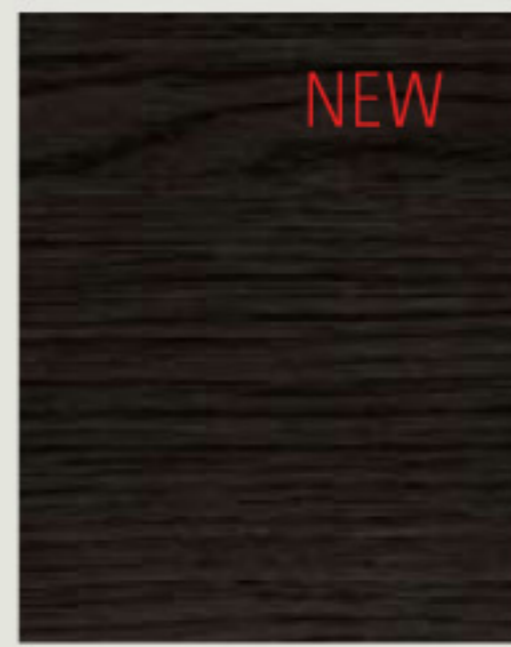
Rovere Cenere



Rovere Argilla



Rovere Grigio



Rovere Carbone

LEGNI IMPIALLACCIATI Wood veneer

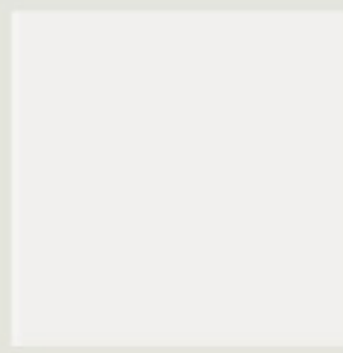


Rovere Termotrattato

LACCATI OPACHI
Matt laquers



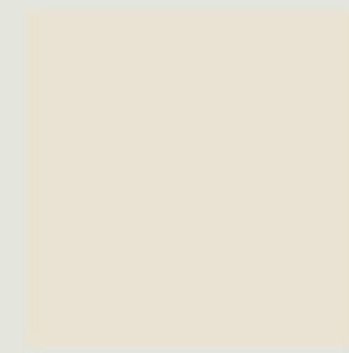
Artico



Bianco10



Burro



Canapa



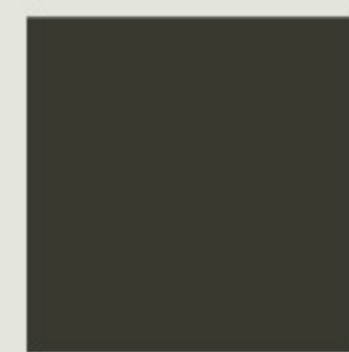
Juta



Visone



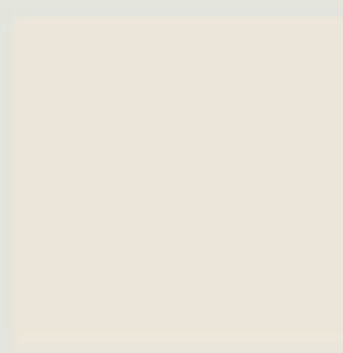
Creta



Terranova



Brown



Magnolia



Grigio Corda



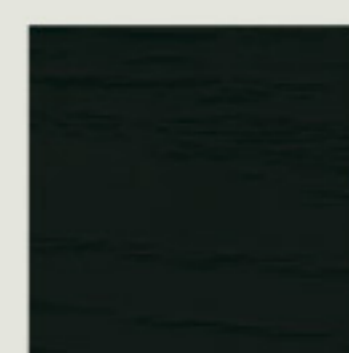
Ardesia



Ferro



Antracite



Nero



Ghiaccio



Carta da zucchero



Bluette



Petrolio



Cobalto



Murano



Prato



After eight



Zolfo



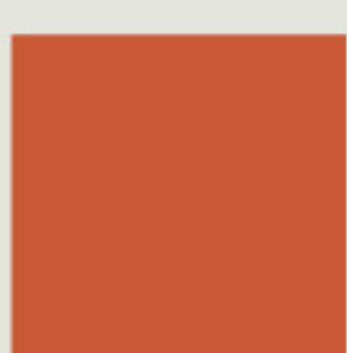
Senape



Muschio



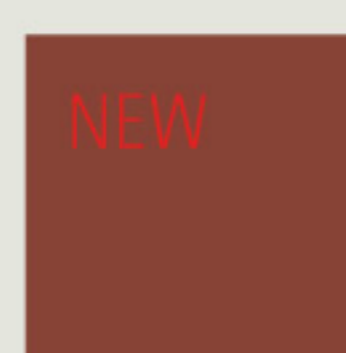
Prugna



Zucca



Maranello



Cuoio

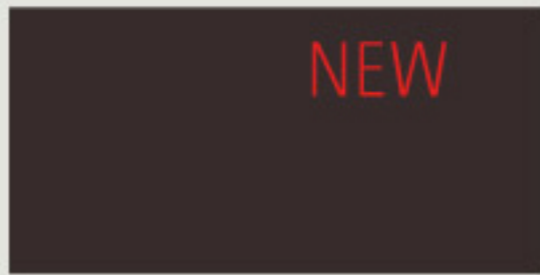


Amarena

FINITURE DEI PIEDI IN METALLO
metal feet finishes



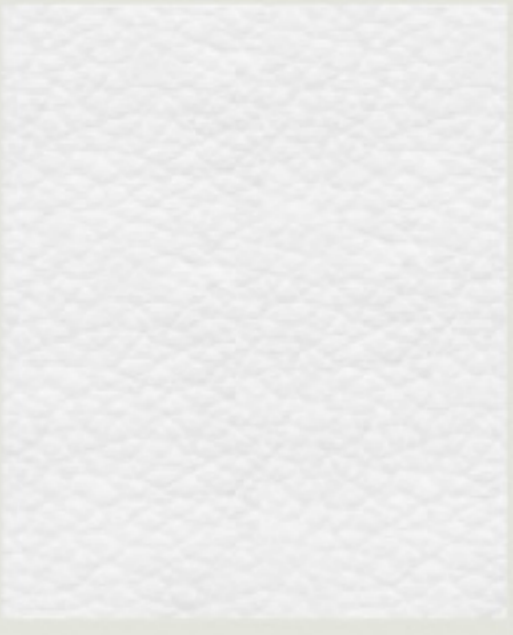
Titanio



Brown

FINITURE TESTIERA Headboard Finishes

ECOPELLI - CAT A
Imitation Leather



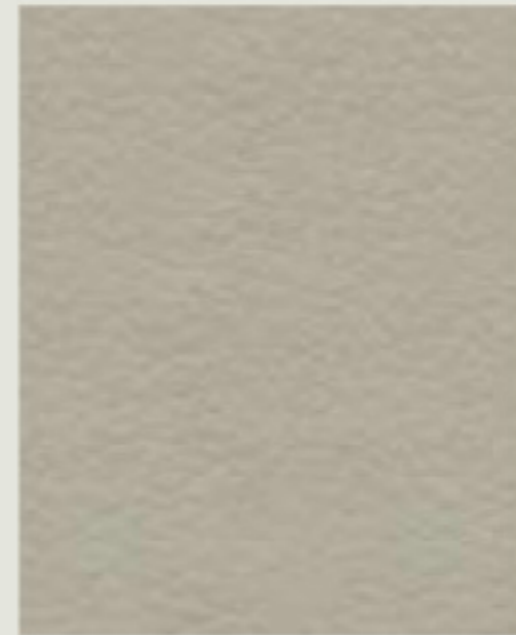
Artico



Bianco Giglio



Canapa



Corda



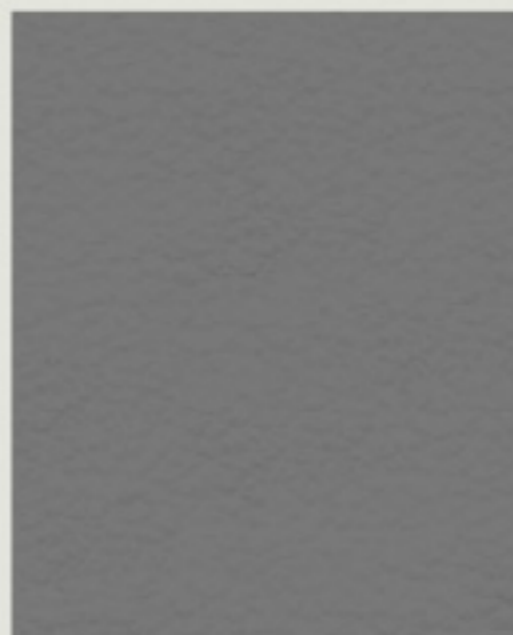
Fango



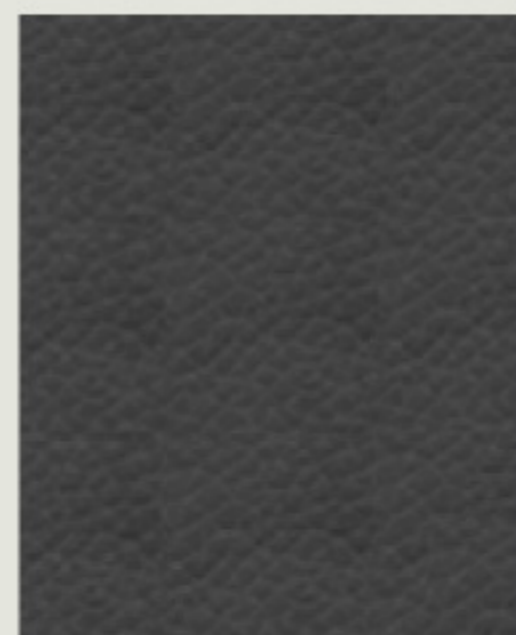
Testa di moro



Smog



Cenere



Grigio

ECOVINTAGE - CAT A
Ecovintage



Nube 04



Nube 42



Nube 16



Nube 21



Nube 19



Nube 08

PELLE - CAT D
Leather



Sierra



Canapa



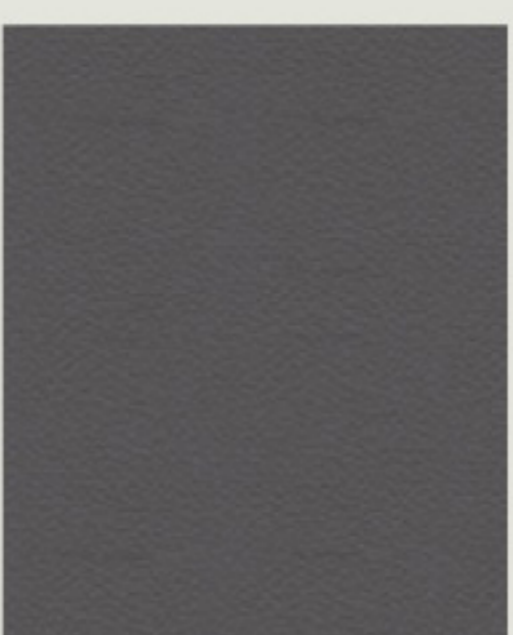
Sabbia



Creta



Smoke



Grigio



Caffe'

PELLE VINTAGE - CAT V
Vintage leather



Creta



Camel



Marrone



Testa di moro



Seppia



Grigio

FINITURE:

>> **ALIANTE 3.0**
Bed Aliante 3.0 finishes

FINITURE RETROTESTIERA Headboard back finishes

ROVERI TINTI IMPIALLACCIATI
Coloured Oak veneer



Rovere Cenere



Rovere Argilla



Rovere Grigio



Rovere Carbone

LEGNI IMPIALLACCIATI Wood veneer



Rovere Termotrattato

LACCATI OPACHI
Matt laquers



Artico

Bianco10

Burro

Canapa

Juta

Visone

Creta

Terranova

Brown

Magnolia

Grigio Corda

Ardesia

Ferro

Antracite

Nero

Ghiaccio

Carta da zucchero

Bluette

Petrolio

Cobalto

Murano

Prato

After eight

Zolfo

Senape

Muschio

Prugna

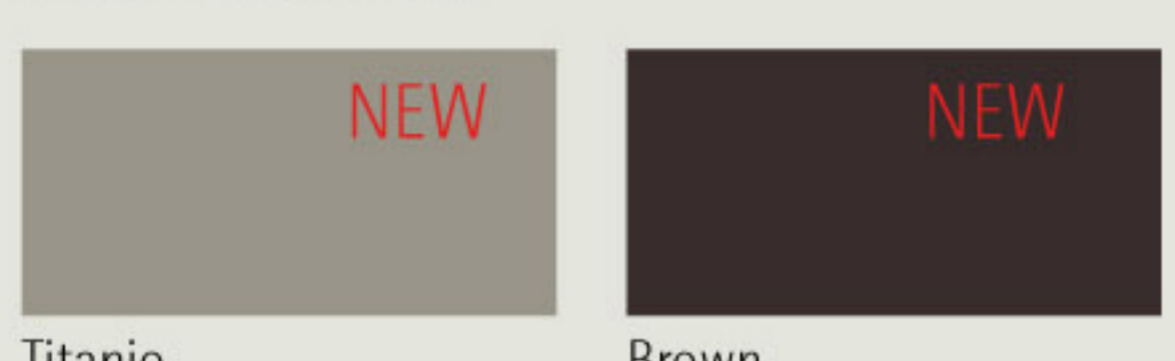
Zucca

Maranello

Cuoio

Amarena

FINITURE DEI PIEDI IN METALLO
metal feet finishes



Titanio

Brown

FINITURE TESTIERA E GIROLETTO Headboard and bed frame finishes

ECOPELLI - CAT A
Imitation Leather



Artico

Bianco Giglio

Canapa

Corda

Fango

Testa di moro

Smog

Cenere

Grigio

ECOVINTAGE - CAT A
Ecovintage



Nube 04



Nube 42



Nube 16



Nube 21

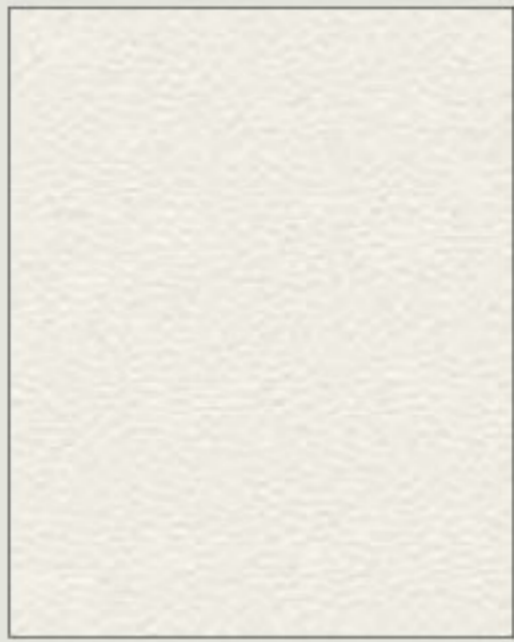


Nube 19

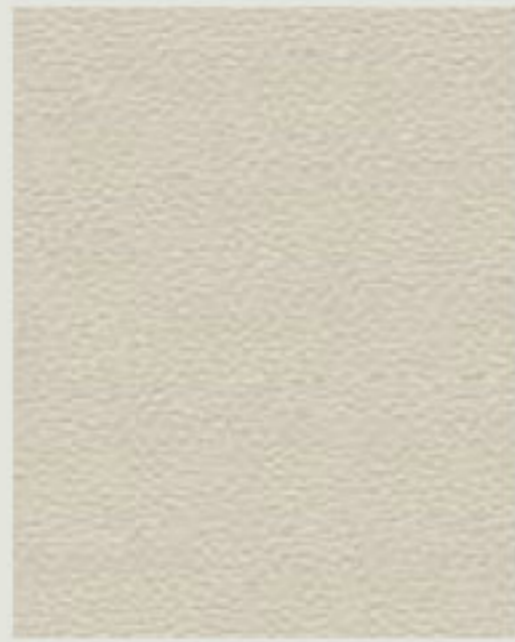


Nube 08

PELLE - CAT D
Leather



Sierra



Canapa



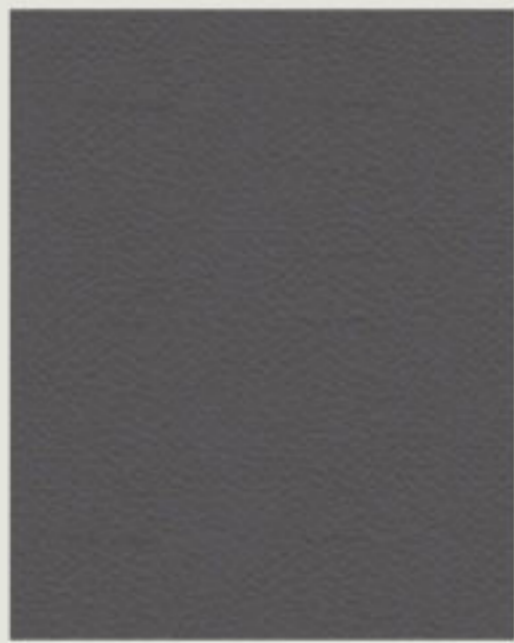
Sabbia



Creta



Smoke



Grigio



Caffe'

PELLE VINTAGE - CAT V
Vintage leather



Creta



Camel



Marrone



Testa di moro



Seppia



Grigio